



### 罐阀 2.0 技术

2.0 TECHNOLOGY FOR TANK VALVE

**升级版2.0:** 阀盖海关封一体铸造，可用于辅助拆卸；4个立柱，间隙更符合常用C型扳手规格；铸造阀盖，不易变形。

**Update 2.0:** TIR by cast can be used for disassemble; Distance between columns can accommodate a C-wrench well; Thicker cover by casting is Stronger than sheet board especially during disassembly.

## 螺纹式安全阀

### BSP SAFETY VALVE

#### 基本配置 Basic Details

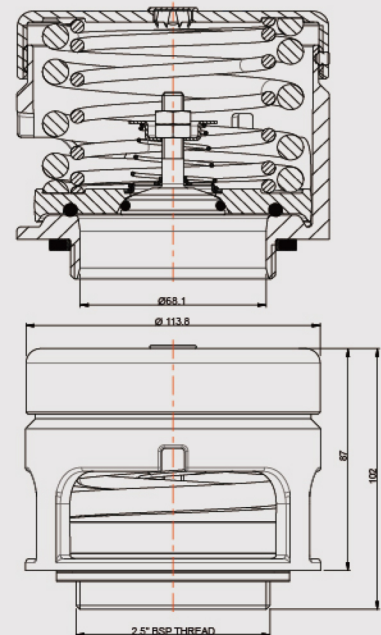
2.5" BSP 外螺纹接头及 65mm 的公称内径。适合于 2 - 75 PSI (0.14 - 5.17 Bar) 的压力范围和 0-26"Hg (0 - 0.88 bar) 的负压范围。接触货物的零件采用 316 不锈钢制造。标准配置安装有双层带橡胶内芯的 PTFE 密封圈。可选件：无负压型、法兰连接、高压加长型系列、手动通气按钮、不同材料规格的密封件。

2.5" BSP Super Maxi Emergency Relief Valve male connection with 65mm nominal bore. Suitable for a pressure range of between 2 - 75 PSI (0.14 - 5.17 Bar) and a vacuum range of between 0 - 26"Hg (0 - 0.88 Bar). Contact parts manufactured in 316 stainless steel. Fitted with combined seals as standard. Complete with rubber/PTFE tank seal. Flanged connections available. Range of high pressure extended body valves. Manual vent button option. A range of alternative seal materials is available.

#### 规格 Specification

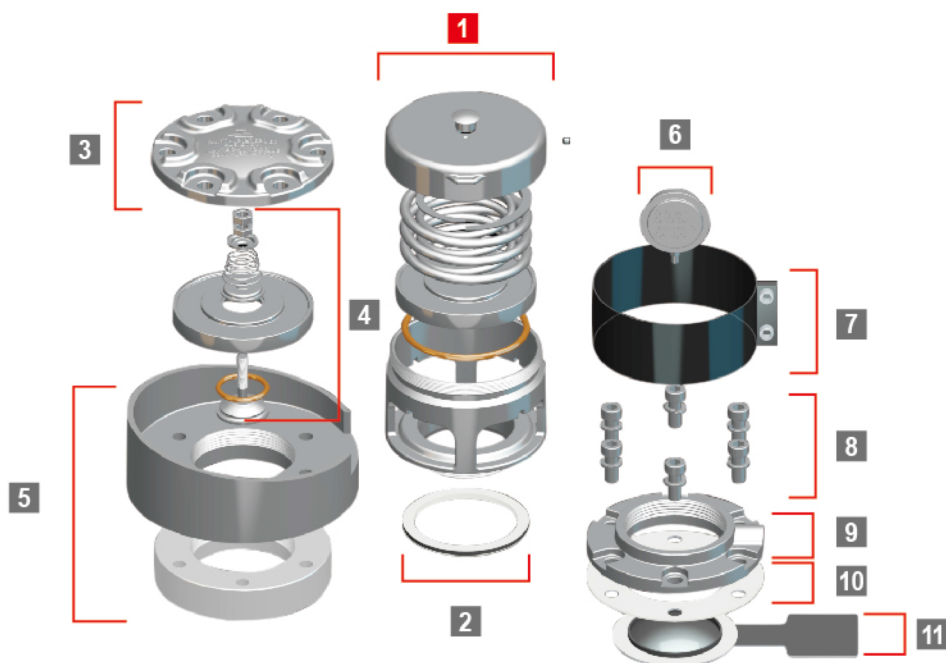
重量 Weight	2.97Kg
设计温度 Design Temperature	-55°C to 200°C (-67°F to 392°F)

### FITTING DIMENSION



Example shown : 010-16312

## 1 标准配置 Basic configuration



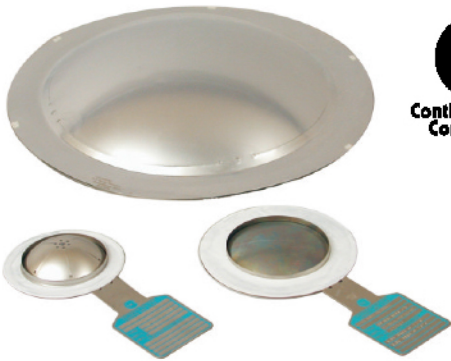
### 选装部件

### OPTIONAL COMPONENTS

### 罐阀 2.0 技术

2.0 TECHNOLOGY FOR TANK VALVE

<b>2</b> PTFE/EPDM双层垫片5005-046;	<b>2</b> Combined gasket;
<b>3</b> 精密铸造盲法兰176-3160CM, 需求超大流量泄压时的备用口专用;	<b>3</b> Blind flange for backup relief valve outlet;
<b>4</b> 负压组件, 6.2"Hg (0.21Bar) 标准负压, 特殊罐体也可以定制负压0-26"Hg(0-0.88Bar), 仅需更换7104-XXX负压弹簧;	<b>4</b> Vacuum sets. 6.2"standard pressure. 7104-XXX spring can be used for different pressure from 0-26"Hg.;
<b>5</b> 标准罐体法兰176-3150;下沉式罐体焊接法兰176-3166, 适用于大吨位罐体;	<b>5</b> Welding flange or sink flange for lower total height;
<b>6</b> 压力表, 各种规格可选, 0-7/10bar, 不锈钢/黄铜材质 防震型, BSP/NPT公制螺纹接口可选, 详见压力表介绍;	<b>6</b> All kinds of gauges: STST/Brass material, anti shaking, BSP/M thread, 0-7/10 Bar;
<b>7</b> 快拆式防火网176-2900, 适用于易起火货物或环境, 经过严格的流量测试, 即使起火的条件下也能满足最大流量要求;	<b>7</b> Quick disassemble fire protection cover, which can meet the flow rate requirement at the firing condition;
<b>8</b> 螺栓包176-3159;	<b>8</b> Bolt kit;
<b>9</b> 转换法兰176-7001, 可接压力表, 也可用于爆破片夹持 不使用爆破片时, 需要使用图示的CNAF/PTFE复合密封垫;	<b>9</b> Transfer flange for gauge or burst disc;
<b>10</b> 不使用爆破片时, 需要使用图示的CNAF/PTFE 复合密封垫5005-398;	<b>10</b> Combined gasket should be used without bust disk;
<b>11</b> 十字开槽爆破片, 65/80mm直径, 20/55°C, 2.14-7.58Bar 可供选择, 详见爆破片介绍, 需要配合转换法兰夹持	<b>11</b> Burst disc, cross slots 65/80 mm size, 20/55°C, selection of 2.14 to 7.58 Bar, together with transfer flange



## 爆破片

### BURST DISC

我们提供的产品包括：标准的 65mm 和 80mm 爆破片系列，以及 89mm 气体罐和 25mm 双氧水罐等特殊的爆破片。根据不同的需求，我们提供以下规格的爆破片：ICON 交叉刻槽实心金属爆破片；PC-SERT 多层（合成）爆破片；反向动作和标准 250mm 爆破片。

Our range includes stocks of standard 65mm and 80mm discs and more specialised discs for IMO V Gas Relief Valves (89mm) and Hydrogen Peroxide applications (250mm). We can offer the following models for different applications:

ICON – cross scored solid metal disc; PC-SERT – multi-layered (composite) disc; Reverse Acting and Standard 250mm discs.



零件号 Part Number	类型 Type	设置爆破力 Set to burst at
<b>常规集装箱/槽罐车 General Purpose Tank Containers / Road Tankers</b>		
861-0320	50mm PC -SER T	2.20 -2.42 Bar @ 20°C
861-0400	50mm PC -SER T	2.76 -3.10 Bar @ 20°C
862-0310	65mm PC -SER T	2.14 Bar @ 20°C
862-0330	65mm PC -SER T	2.28 Bar @ 20°C
862-0350	65mm PC -SER T	2.41 Bar @ 20°C
862-0390	65mm PC -SER T	2.69 Bar @ 20°C
862-0430	65mm PC -SER T	2.96 Bar @ 20°C
862-0450	65mm PC -SER T	3.1 Bar @ 20°C
862-0540	65mm ICON	3.67 Bar @ 20°C
862-0600	65mm ICON	4.1 Bar @ 20°C
862-0640	65mm ICON	4.4 Bar @ 20°C
862-0700	65mm ICON	4.84 Bar @ 20°C
864-0540	80mm PC -SER T	3.67 Bar @ 20°C
864-0600	80mm ICON	4.1 Bar @ 20°C
864-0700	80mm ICON	4.84 Bar @ 20°C
864-0960	80mm PC -SER T	6.62 Bar @ 20°C
864-1100	80mm PC -SER T	7.58 Bar @ 20°C
<b>气罐体 Compressed Liquefied Gas Tanks</b>		
864-1750	89mm Reverse Acting	12.1 Bar @ 55°C
864-2000	89mm Reverse Acting	13.8 Bar @ 55°C
864-2180	89mm Reverse Acting	15.0 Bar @ 55°C
864-3050	89mm Reverse Acting	21.0 Bar @ 55°C
864-3190	89mm Reverse Acting	22.0 Bar @ 55°C
864-3990	89mm Reverse Acting	27.5 Bar @ 55°C
864-5000	89mm Reverse Acting	34.5 Bar @ 55°C
<b>双氧罐体 Hydrogen Peroxide</b>		
865-1200	250mm STD (new design)	4.5 Bar @ 20°C
865-1250	250mm STD (new design)	4.5 Bar @ 60°C
865-1400	250mm STD (new design)	6.0 Bar @ 20°C

## 文件盒

### HOLDER

描述 Description	零件号 Part No.
75mm, PVC塑料帽和不锈钢绳 75mm PVC cap with stainless steel cable	360-1010
110mm, PVC塑料帽和不锈钢绳 110mm PVC cap with stainless steel cable	460-1010
75mm 塑料固定支架 75mm fixing bracket – plastic	360-1007
75mm 不锈钢固定支架 75mm fixing bracket – stainless steel	360-1007SS
110mm 塑料固定支架 110mm fixing bracket – plastic	460-1007
110mm 不锈钢固定支架 110mm fixing bracket – stainless steel	460-1007SS